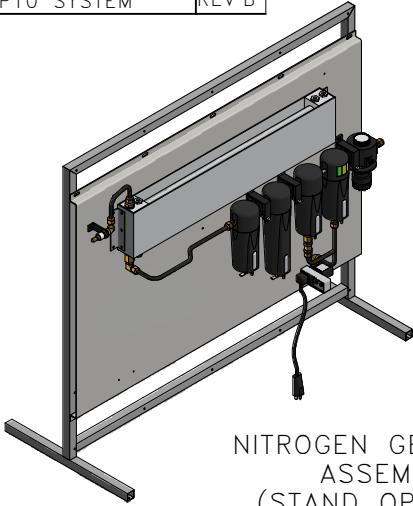
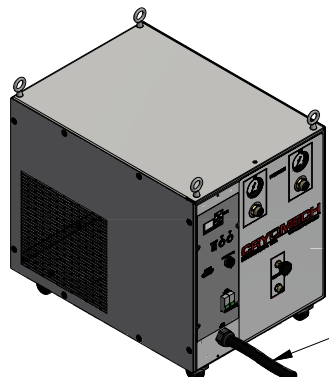
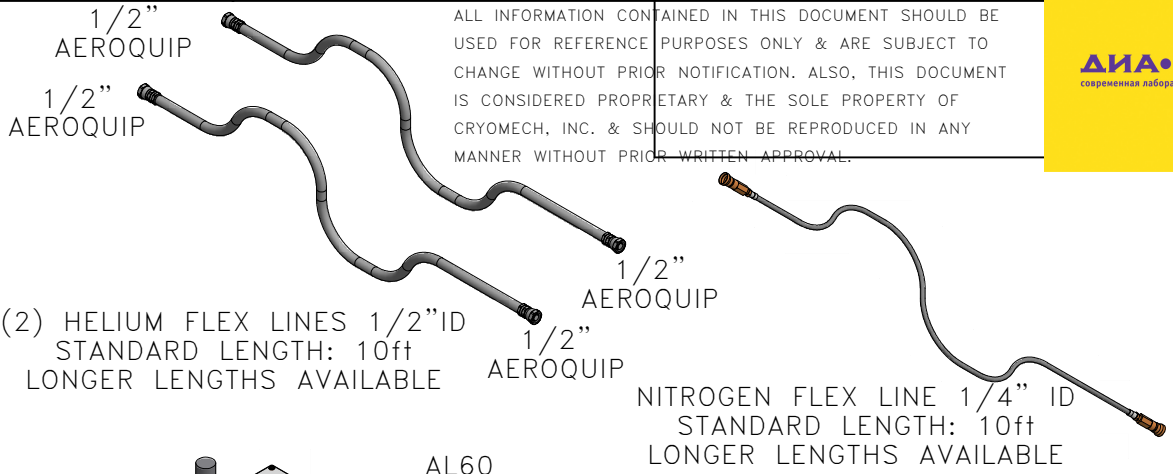




ALL INFORMATION CONTAINED IN THIS DOCUMENT SHOULD BE USED FOR REFERENCE PURPOSES ONLY & ARE SUBJECT TO CHANGE WITHOUT PRIOR NOTIFICATION. ALSO, THIS DOCUMENT IS CONSIDERED PROPRIETARY & THE SOLE PROPERTY OF CRYOMECH, INC. & SHOULD NOT BE REPRODUCED IN ANY MANNER WITHOUT PRIOR WRITTEN APPROVAL.

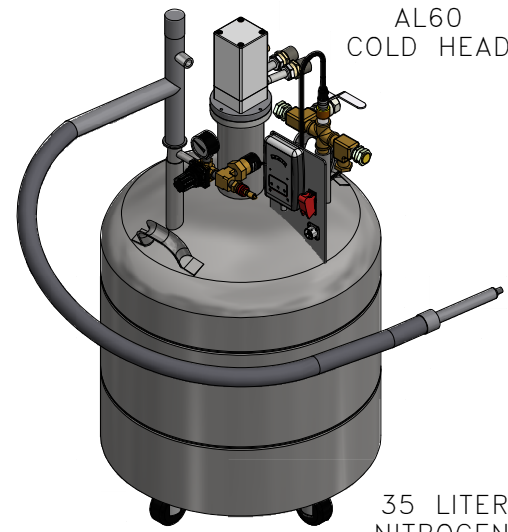


NITROGEN GENERATOR ASSEMBLY (STAND OPTIONAL)



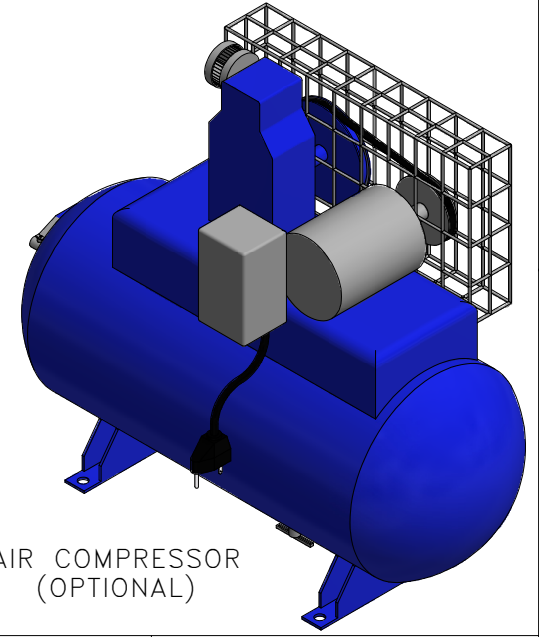
CP102 COMPRESSOR PACKAGE (AIR COOLED)

COLDHEAD MOTOR CORD (SAME LENGTH AS FLEX LINES)

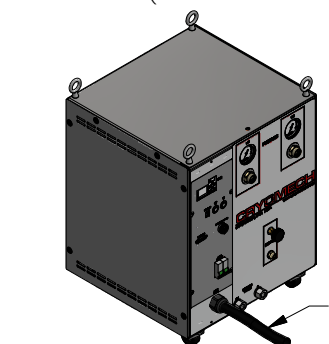


AL60 COLD HEAD

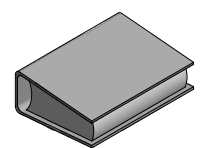
35 LITER LIQUID NITROGEN DEWAR ASSEMBLY



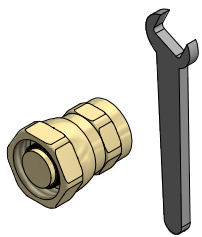
AIR COMPRESSOR (OPTIONAL)



CP102 COMPRESSOR PACKAGE (WATER COOLED)



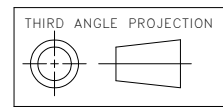
MANUAL



TOOL KIT



1 YEAR SPARE PARTS



THIRD ANGLE PROJECTION  
ALL DIMENSIONS ARE IN INCHES  
TOLERANCES: FRACTIONS ±1/32 DECIMALS XXX=±.005 XX=±.01 X=±.1 ANGLES ±.5° ALLOVER FINISH 25 Ra  
CONCENTRICITY .005 TOTAL INDICATOR RUN OUT PERPENDICULAR ±.002 (UNLESS OTHERWISE SPECIFIED)

NAME: LNP10 LIQUID NITROGEN PLANT			
DWG #: LNP10 SYSTEM		SHT 1 OF 1	
MATERIAL: AS STATED			
DWN BY: BL	DATE: 18AUG04	SCALE: TO FIT	DWG SIZE: A
1ST CHK: RED	DATE: 26AUG04	2ND CHK: NLO	DATE: 26AUG04
CUST:		BTA:	

ECN	ZONE	REV	DESCRIPTION	DATE
3940	-	B	CP100 COMPRESSORS REPLACE CP800's	16MAR17
1419	-	A	SEE ECN 1419	03JUL07
613	-	-	INITIAL RELEASE	18AUG04

2

1

2

1