



**Gas cylinder cabinet G-CLASSIC-30**  
**Model G30.205.090, light grey (RAL 7035)**

**Safe and approved storage of flammable or toxic gases in working areas – for up to 3 x 50-litre gas cylinders**

**Function / construction:**

- **No unauthorised use:** doors lockable with profile cylinder (integration in an existing locking system possible)
- **Easy alignment:** adjusting aids to compensate for uneven floor
- **Easy mounting of connecting pipes and gas fittings:** large interior height (1890 mm), many lead-through possibilities on the top of the cabinet
- **Ventilation:** integrated air ducts ready for connection (DN 75) to a technical exhaust, even ventilation inside the cabinet

**Available equipment:**

- Cylinder retainer across the entire width of the cabinet
- Standard interior equipment – complete with mounting rails, rolling ramp and cylinder retainer
- Lateral cylinder retainer – for two 10-litre cylinders, alternatively in height adjustable version (no tools required)

**Dimensions**

Width (external)	898.00 mm
Depth (external)	616.00 mm
Height (external)	2050.00 mm
Width (internal)	794.00 mm
Depth (internal)	479.00 mm
Height (internal)	1874.00 mm

The available internal dimensions can vary depending on the interior equipment package.

**Weight / Load**

Weight without interior equipment	340 kg
Distributed load	648.00 kg/m <sup>2</sup>
Maximum load	600 kg

**Ventilation**

Extraction air	75 DN
Minimum exhaust air quantity 10 times	7 m <sup>3</sup> /h
Minimum exhaust air quantity 120 times	86 m <sup>3</sup> /h

For further details of the lead-through possibilities and exhaust air please have a closer look to EN 14470-2.

**Colouring / Surface finish**

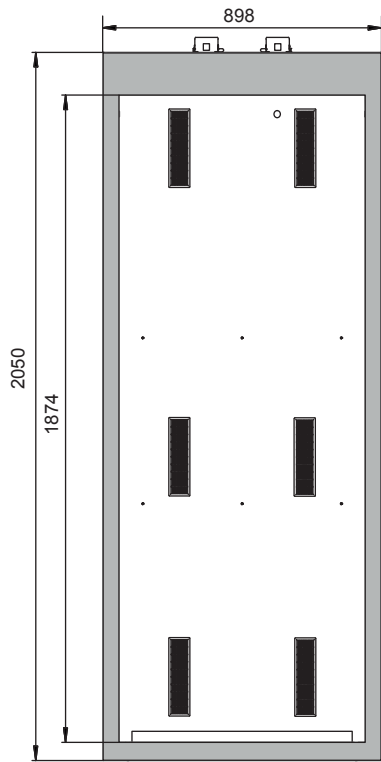
Body colour code	RAL 7035
Body colour	Light grey
Body surface finish	plain
Door / Drawer colour code	RAL 7035
Door / Drawer colour	Light grey
Door / Drawer surface finish	plain

**General Information**

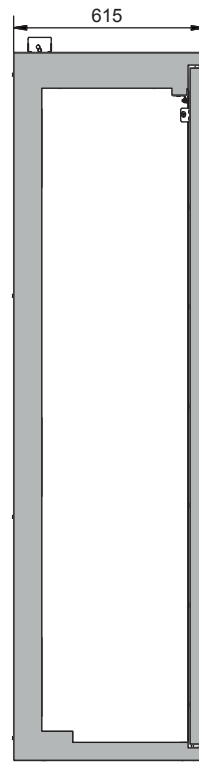
Number of doors	2
Door opening angle	180.00°
Depth with open doors	1051 mm
x 50-litre gas cylinders	3 piece
Customs tariff number	94032080



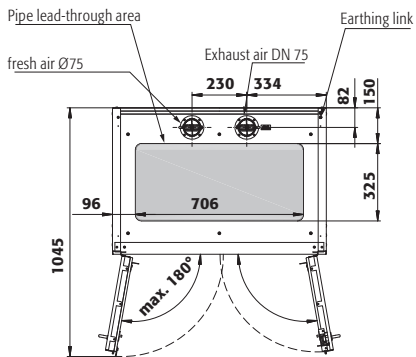
Front view



Side view



Top view



**000 «Диаэм»**

Москва  
ул. Магаданская, д. 7, к. 3 ■ тел./факс: (495) 745-0508 ■ sales@dia-m.ru

[www.dia-m.ru](http://www.dia-m.ru)

**С.-Петербург**  
+7 (812) 372-6040  
spb@dia-m.ru

**Новосибирск**  
+7 (383) 328-0048  
nsk@dia-m.ru

**Воронеж**  
+7 (473) 232-4412  
vrn@dia-m.ru

**Йошкар-Ола**  
+7 (927) 880-3676  
nba@dia-m.ru

**Красноярск**  
+7 (923) 303-0152  
krsk@dia-m.ru

**Казань**  
+7 (843) 210-2080  
kazan@dia-m.ru

**Ростов-на-Дону**  
+7 (863) 303-5500  
rnd@dia-m.ru

**Екатеринбург**  
+7 (912) 658-7606  
ekb@dia-m.ru

**Кемерово**  
+7 (923) 158-6753  
kemerovo@dia-m.ru

**Армения**  
+7 (094) 01-0173  
armenia@dia-m.ru

