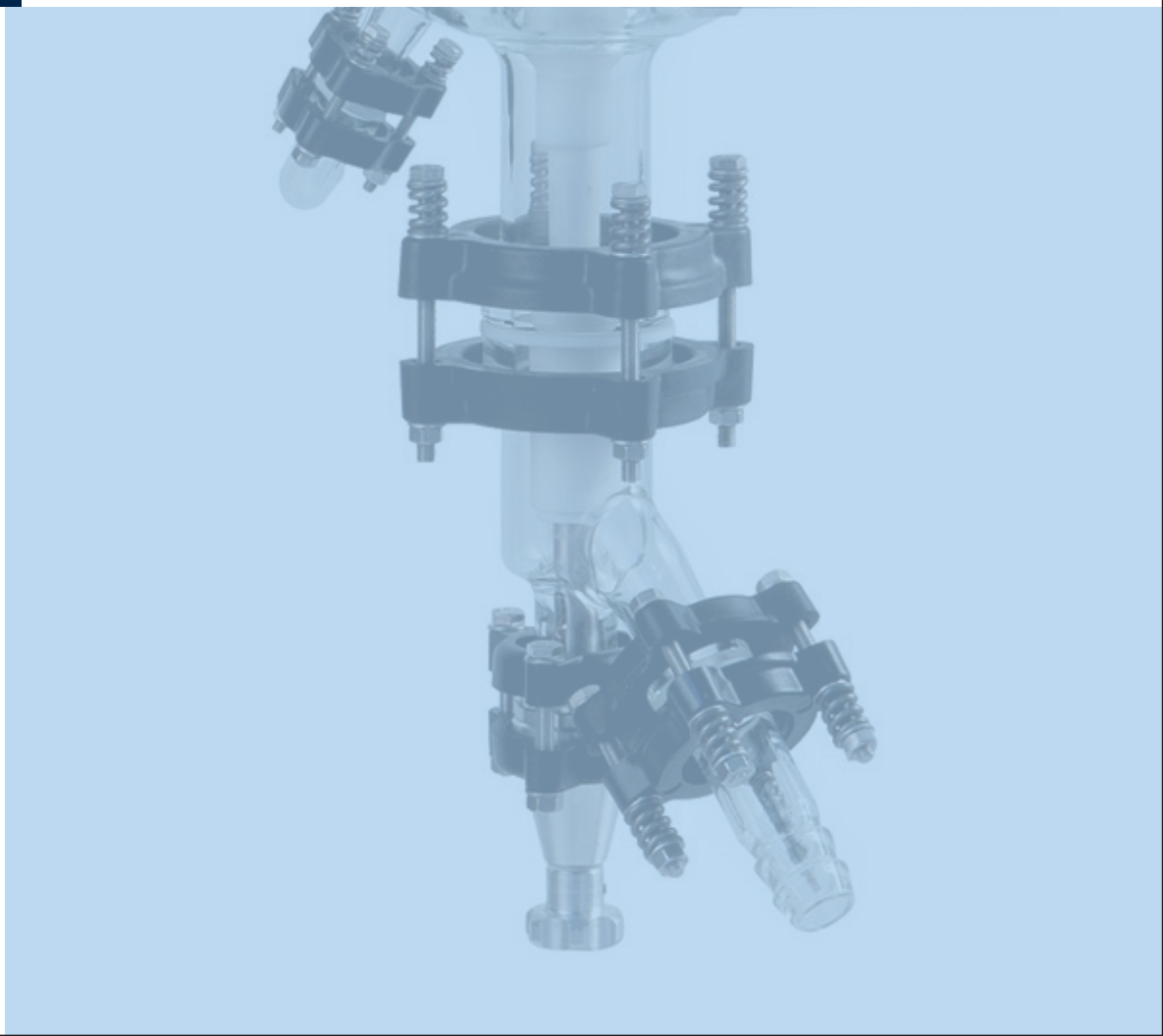


# EASYCHEM GLASS REACTORS

PROCESS DIVISION



# 10, 15, 20, 30L EasyChem Glass Reactors

## Full optional versions

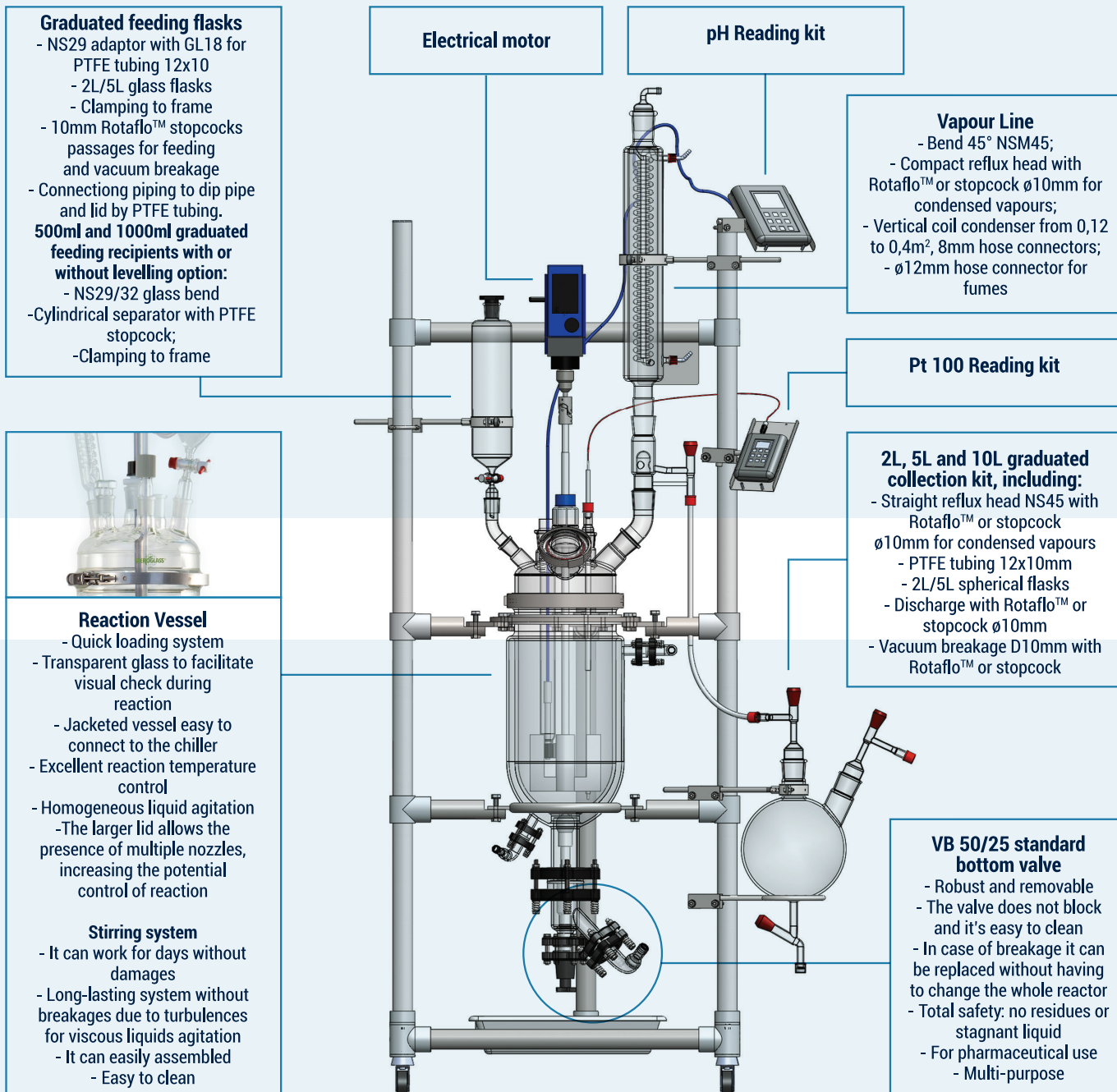
Complete reaction system on AISI tubular free standing movable frame.

Labware design, high performing stirring system and connections.

The unit is supplied with components listed below.

Optional items are listed on the following pages.

- Total safety: no residues or stagnant liquids;
- FDA compliant (PTFE and Borosilicate Glass in contact with products);
- Multi-purpose;
- PTFE piping;
- Compact design - can be placed under the hood (H 1900 mm).

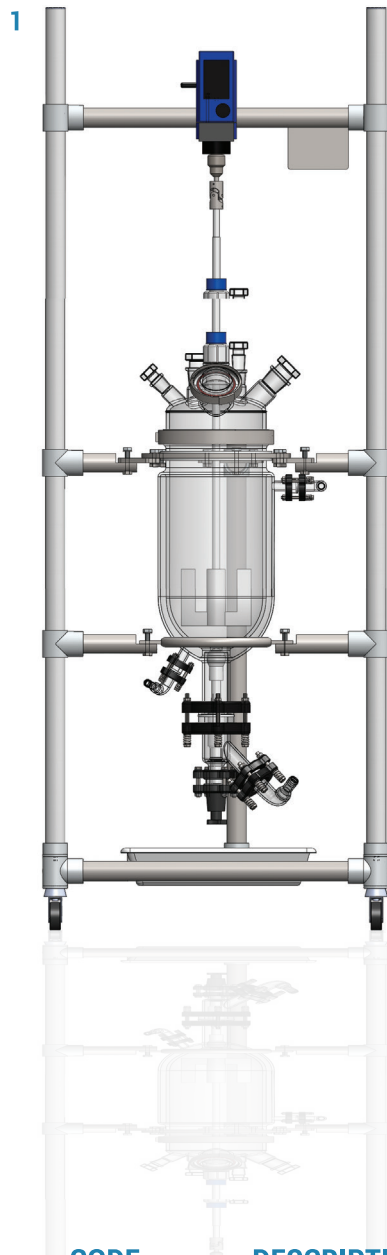


CODE	DESCRIPTION	CODE	MOTOR TYPE
SQHK083684	10L EasyCHEM reactor w/o motor DN 200	SQA0080339	ST-1800DF
SQHK083716	10L EasyCHEM reactor w/o motor DN 300	SQA0080339	ST-1800DF
SQHK083688	15L EasyCHEM reactor w/o motor DN 200	SQA0080339	ST-1800DF
SQHK083685	15L EasyCHEM reactor w/o motor DN 300	SQA0080339	ST-1800DF
SQHK083687	20L EasyCHEM reactor w/o motor DN 200	SQA0080339	ST-1800DF
SQHK083717	20L EasyCHEM reactor w/o motor DN 300	SQA0080339	ST-1800DF
SQHK083686	30L EasyCHEM reactor w/o motor DN 300	SQA0080339	ST-1800DF

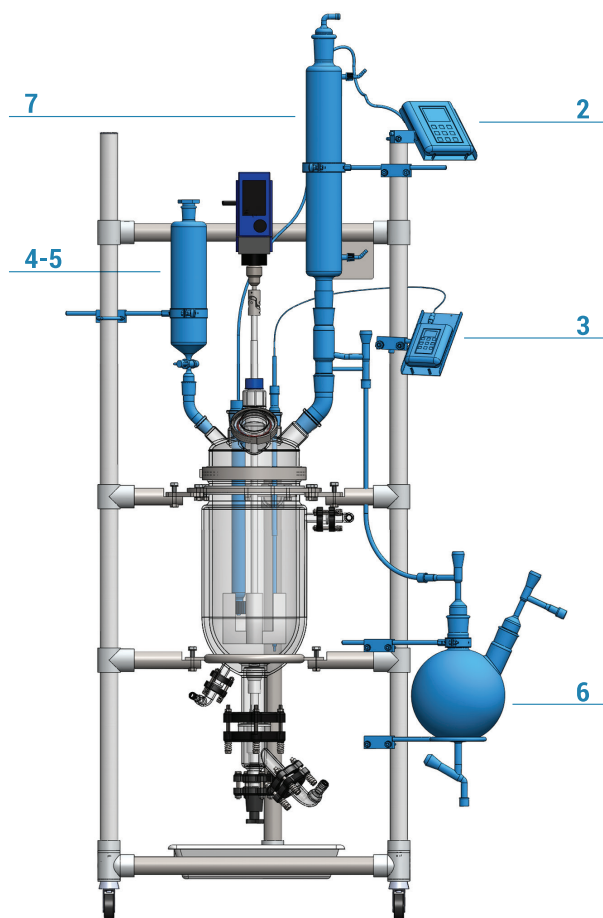
# 10, 15, 20, 30L EasyChem Glass Reactors

## Main components

EasyCHEM glass reactors can be customized according to your needs. Design your reactor by choosing the various components listed below.



CODE	DESCRIPTION
SQHK083691	10L mixer DN 200
SQHK083692	10L mixer DN 300
SQHK083718	15L mixer DN 200
SQHK083719	15L mixer DN 300
SQHK083693	20L mixer DN 200
SQHK083694	20L mixer DN 300
SQHK083695	30L mixer DN 300



CODE	DESCRIPTION
SQEG080904	pH reading kit (10lt reactor)
SQEG080905	pH reading kit (20lt reactor)
SQEG080906	pH reading kit (30lt reactor)
SQEG080903	Pt 100 reading kit (10lt reactor)
SQEG080902	Pt 100 reading kit (20, 30lt reactors)
SQHK080957	500ml feeding kit with levelling optional
SQHK080958	1000ml feeding kit with levelling optional
SQHK080960	500ml feeding kit without levelling optional
SQHK080959	1000ml feeding kit without levelling optional
SQHK080908	2 L feeding kit flask
SQHK080907	5 L feeding kit flask
SQHK080909	distillation kit with collection (2L)
SQHK080910	distillation kit with collection (5L)
SQHK083698	distillation kit with collection (10L)
SQHK080911	0,12 m <sup>2</sup> kit vapour line kit
SQHK080912	0,15 m <sup>2</sup> kit vapour line kit
SQHK080913	0,4 m <sup>2</sup> kit vapour line kit

EASYCHEM REACTORS



PROCESS DIVISION

10, 15, 20, 30L



# 50, 100L EasyChem Glass Reactors

## Full optional versions

Complete reaction system on AISI tubular free standing movable frame.

Labware design, high performing stirring system and connections.

The unit is supplied with components listed below.

Optional items are listed on the following pages.

- Total safety: no residues or stagnant liquids;
- FDA compliant (PTFE and Borosilicate Glass in contact with products);
- Multi-purpose;
- PTFE piping;
- Compact design - can be placed under the hood (H 1900 mm).

### Graduated feeding flasks

- NS29 adaptor with GL18 for PTFE tubing 12x10
- 2L/5L/10L glass flasks
- Clamping to frame
- 10mm Rotaflor™ stopcocks passages for feeding and vacuum breakage
- Connecting piping to dip pipe and lid by PTFE tubing.

### 500ml and 1000ml graduated feeding recipients with or without levelling option:

- NS29/32 glass bend
- Cylindrical separator with PTFE stopcock;
- Clamping to frame

### Electrical motor

### Vapour Line

- Bend 45° NSM45;
- Compact reflux head with Rotaflor™ or stopcock ø10mm for condensed vapours;
- Vertical coil condenser from 0,12 to 0,4m<sup>2</sup>, 8mm hose connectors;
- ø12mm hose connector for fumes

### pH Reading kit

### Pt 100 Reading kit



### Reaction Vessel

- Quick loading system
- Transparent glass to facilitate visual check during reaction
- Jacketed vessel easy to connect to the chiller
- Excellent reaction temperature control
- Homogeneous liquid agitation
- The larger lid allows the presence of multiple nozzles, increasing the potential control of reaction

### Stirring system

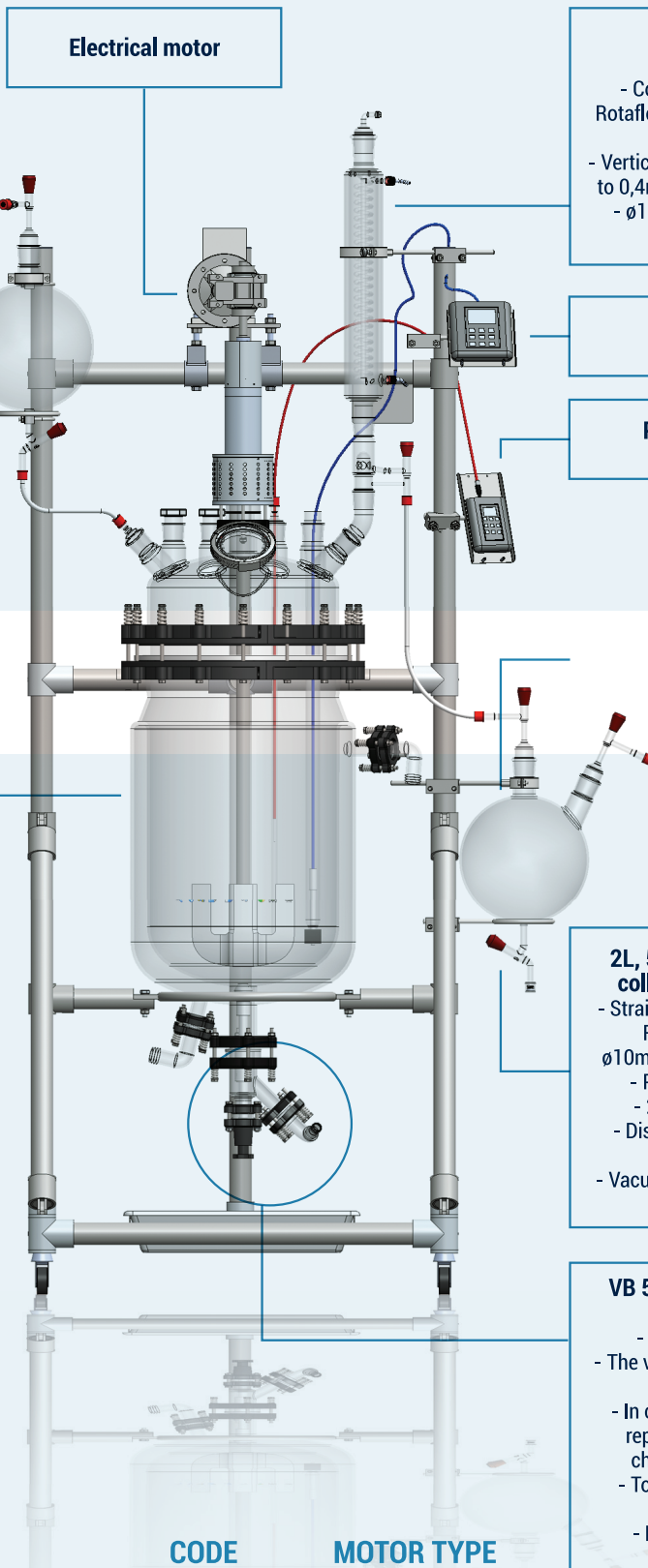
- It can work for days without damages
- Long-lasting system without breakages due to turbulences for viscous liquids agitation
- It can easily assembled
- Easy to clean

### 2L, 5L and 10L graduated collection kit, including:

- Straight reflux head NS45 with Rotaflor™ or stopcock ø10mm for condensed vapours
- PTFE tubing 12x10mm
- 2L/5L spherical flasks
- Discharge with Rotaflor™ or stopcock ø10mm
- Vacuum breakage ø10mm with Rotaflor™ stopcock

### VB 50/25 standard bottom valve

- Robust and removable
- The valve does not block and it's easy to clean
- In case of breakage it can be replaced without having to change the whole reactor
- Total safety: no residues or stagnant liquids
- For pharmaceutical use
- Multi-purpose



CODE

DESCRIPTION

CODE

MOTOR TYPE

**SQHK083689** 50 L EasyCHEM reactor w/o motor DN 400 **SQA0082440** KIT GEAR MOTOR

**SQHK083722** 50 L EasyCHEM reactor w/o motor DN 450 **SQA0082440** KIT GEAR MOTOR

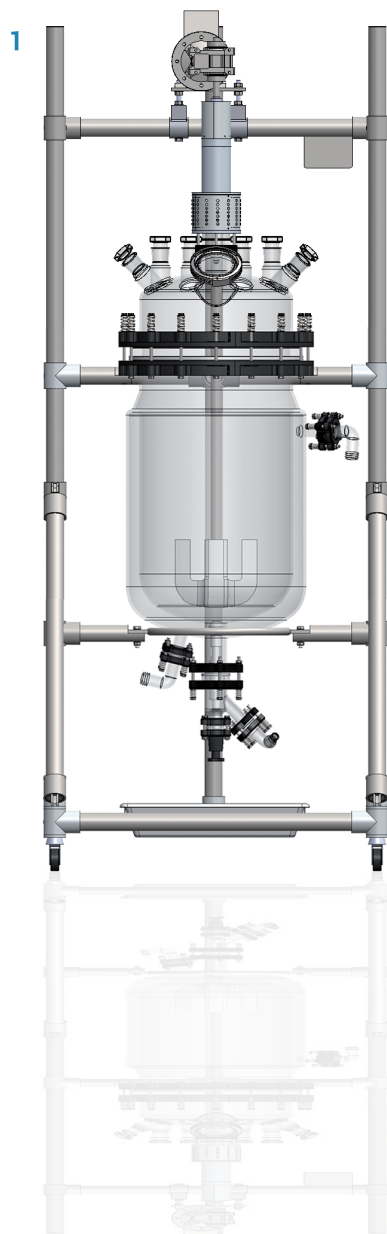
**SQHK083690** 100 L EasyCHEM reactor w/o motor DN 400 **SQA0082440** KIT GEAR MOTOR



# 50, 100L EasyChem Glass Reactors

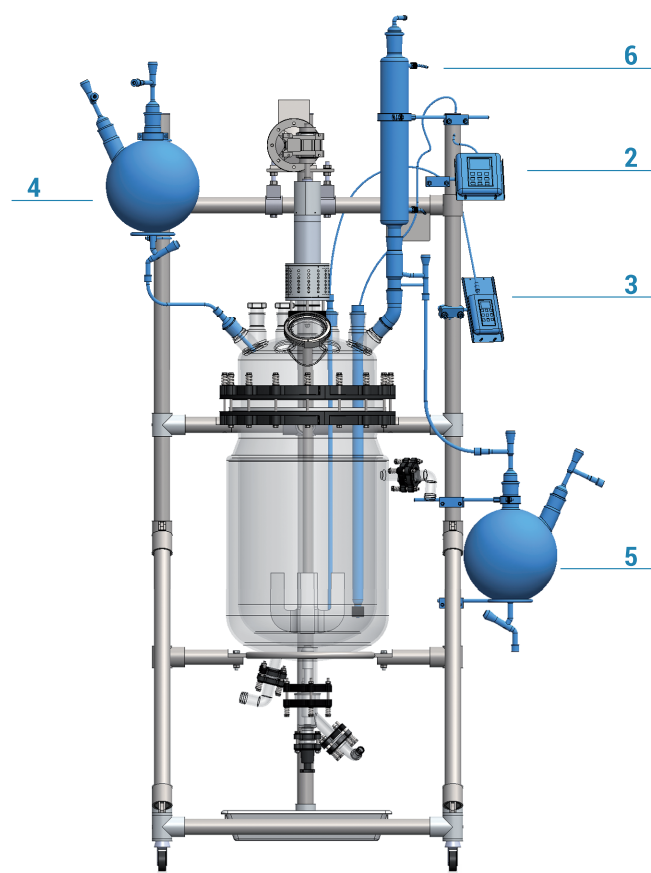
## Main components

EasyCHEM glass reactors can be customized according to your needs. Design your reactor by choosing the various components listed below.



CODE	DESCRIPTION
------	-------------

SQHK083696	50L mixer DN 400	} 1
SQHK083720	50 L mixer DN 450	
SQHK083697	100L mixer DN400	



CODE	DESCRIPTION
------	-------------

SQRI083699	pH reading kit (50lt reactor)	} 2
SQRI083701	pH reading kit (100lt reactor)	
SQRI083702	Pt 100 reading kit (50lt reactor)	} 3
SQRI083703	Pt 100 reading kit (100lt reactors)	
SQHK080908	2 L feeding kit flask	} 4
SQHK080907	5 L feeding kit flask	
SQHK083714	10 L feeding kit flask	
SQHK080909	distillation kit with collection (2L)	} 5
SQHK080910	distillation kit with collection (5L)	
SQHK083698	distillation kit with collection (10L)	
SQHK080911	0,12 m <sup>2</sup> kit vapour line kit	} 6
SQHK080912	0,15 m <sup>2</sup> kit vapour line kit	
SQHK080913	0,4 m <sup>2</sup> kit vapour line kit	

EASYCHEM REACTORS

STEROGLOSS®

PROCESS DIVISION

50, 100L

# 10, 15, 20, 30, 50, 100L EasyChem Reactors

## Complete Data sheet

### Working Conditions:

- Design Temperature : -40 °C / 180 °C
- ΔT: 90 °C
- Design Pressure : -1mbar / 0,49 bar
- Max vacuum: 8 mbar

### VB 50/25 standard bottom valve

- Robust and removable
- The valve does not block and it's easy to clean
- In case of breakage it can be replaced without having to change the whole reactor
- Total safety: no residues or stagnant liquids
- Multi-purpose

### Pt 100 temperature probe:

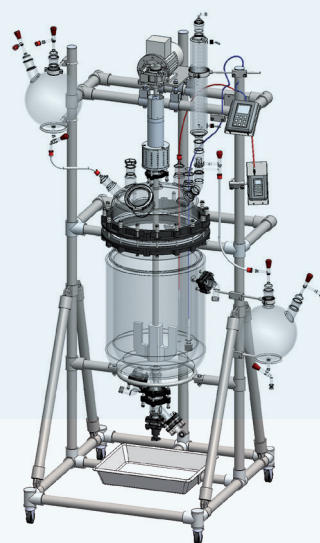
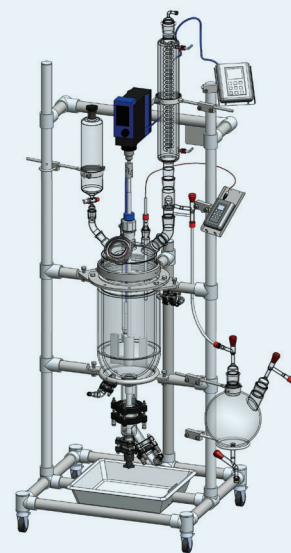
- Product temperature can also be controlled with very low liquid levels
- The probe is placed inside drain valve freeing up a nozzle
- Quicker temperature reading when compared to sensor placed on lid
- No risk of glass sensor breakages due to accidental impacts with solid suspensions
- Pneumatic valve on request

### Certifications:

- Machinery Directive
- User Manual

### Note:

The equipment cannot work in dangerous areas or with inflammable solutions.



## 10, 20, 30L Reaction Group

- DN200 Jacketed vessel (only for 10L)
- DN300 Jacketed vessel (10, 20, 30L)
- 10L, 20L and 30L nominal capacity
- DN200/DN300 Glass lid 6 necks
  - a) NS45 central for stirring
  - b) NS45 with closure for solid loading
  - c) NS29 for liquid inlet
  - d) NS45 for vapour line
  - e) NS45 closed and free (on request)
  - f) NS29 closed and free (on request)
- AISI304 Stirring shaft, PTFE-coated
- PTFE Stirring anchor blade
- Labware mechanical seal
- 25mm discharge bottom valve

### Power supply:

- ELECTRICAL MOTOR 140Watt, approx. 230V

**Dimensions:** Reactor dimensions: mm 970x660x1.890H  
Box dimensions (fumigated wooden box)  
mm 950x800x2.200H

**Weight:** APPROX 130 Kg

## 50, 100L Reaction Group

- DN400 Jacketed vessel
- DN450 Jacketed vessel
- 50, 100 L nominal capacity
- DN400/DN450 Glass lid 6 necks
  - a) DN50 central for stirring
  - b) NS45 with closure for solid loading
  - c) NS29 for liquid inlet
  - d) NS45 for vapour line
  - e) NS45 closed and free (on request)
  - f) NS29 closed and free (on request)
- AISI304 Stirring shaft, PTFE-coated
- PTFE Stirring anchor blade
- mechanical seal ATSA 50/26
- 25mm discharge bottom valve

### Power supply:

ELECTRICAL MOTOR 0,37 Kw (included)

### Dimensions:

Reactor dimensions: mm 1.000x900x2.500H  
Box dimensions (fumigated wooden box)  
mm 950x800x2200H

**Weight:** APPROX 300 Kg (100L reactor)

## Accessories

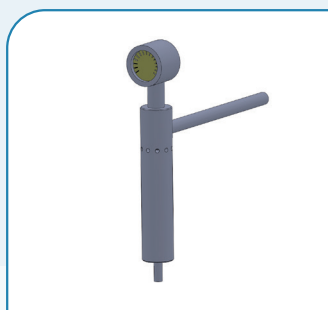


**ST-1800DF remotely controllable  
ultra high torque high speed stirrer  
for 10L, 20L and 30L reactors**

CODE	DESCRIPTION
SQA0080339	ST 1800 DF overhead stirrer

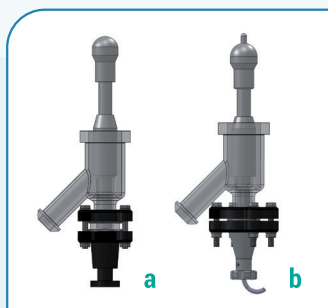
**Gear motor kit for 50L reactor**

CODE	DESCRIPTION
SQA0082440	Kit gear motor for 50 /100 L reactor



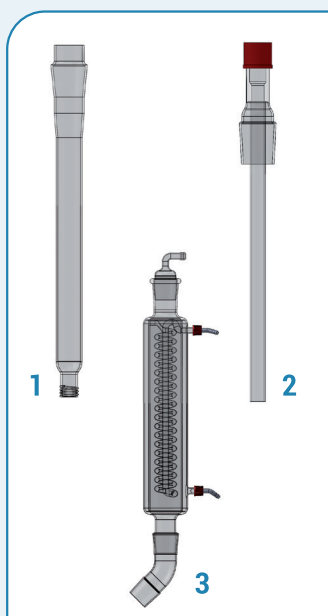
**Compressed-air PLR 11T Stirrer**

CODE	DESCRIPTION
VATM078289	Pneumatic air motor



**Bottom valves**

CODE	DESCRIPTION
SQTK032037	ø25mm bottom valve (a)
SQTK075902	ø25mm bottom valve with Pt100 (b)



CODE	DESCRIPTION	
SQRI080858	pH Probe holder kit (10 L reactor)	1
SQRI080859	pH Probe holder kit (20 L reactor)	
SQRI080860	pH Probe holder kit (30 L reactor)	
SQRI083704	pH Probe holder kit (50 L reactor)	
SQRI083705	pH Probe holder kit (100 L reactor)	
SQEG080956	Pt100 Probe holder kit (10, 20, 30 L reactors)	2
SQRI083706	Pt100 Probe holder kit (50 L reactor)	
SQR0083707	Pt100 Probe holder kit (100 L reactor)	
SQQE078461	0,12 m <sup>2</sup> condenser	3
SQQE078462	0,15 m <sup>2</sup> condenser	
SQQE079134	0,4 m <sup>2</sup> condenser	

**STEROGLASS®**

PROCESS DIVISION

**EASYCHEM REACTORS**





## EASYCHEM GLASS REACTORS

000 «Диаэм»

Москва

ул. Магаданская, д. 7, к. 3 ■ тел./факс: (495) 745-0508 ■ sales@dia-m.ru

[www.dia-m.ru](http://www.dia-m.ru)

**Новосибирск**  
пр. Академика  
Лаврентьева, д. 6/1  
тел.  
(383) 328-0048  
nsk@dia-m.ru

**Казань**  
ул. Парижской  
Коммуны, д. 6  
тел.  
(843) 210-2080  
kazan@dia-m.ru

**С.-Петербург**  
ул. Профессора  
Попова, д. 23  
тел.  
(812) 372-6040  
spb@dia-m.ru

**Ростов-  
на-Дону**  
пер. Семашко, д. 114  
тел.  
(863) 303-5500  
rnd@dia-m.ru

**Пермь**  
Представитель  
тел.  
(342) 202-2239  
perm@dia-m.ru

**Воронеж**  
Представитель  
тел.  
(473) 232-4412  
voronezh@dia-m.ru

**Армения**  
Представитель  
тел.  
(094) 01-0173  
armenia@dia-m.ru

**Узбекистан**  
Представитель  
тел.  
(90) 354-8569  
uz@dia-m.ru

Authorized dealer

