

Shake no more
All-in-one

free from manual shaking

01
Free from
Physical burden

02
Free from
Inconsistent measurement value

03
Free from
Cumbersome operation

Set then press a button

No need to shake a container for a given amount of time with force.

Safe measuring environment

No accidents caused by the unit slipping from your hands while shaking.

Consistent measurement results regardless of measurement taker

Compared to the "manual shaking" method, measurement results from an automatic measurement will not be affected by the measurement taker.

No cumbersome calculation after measurement

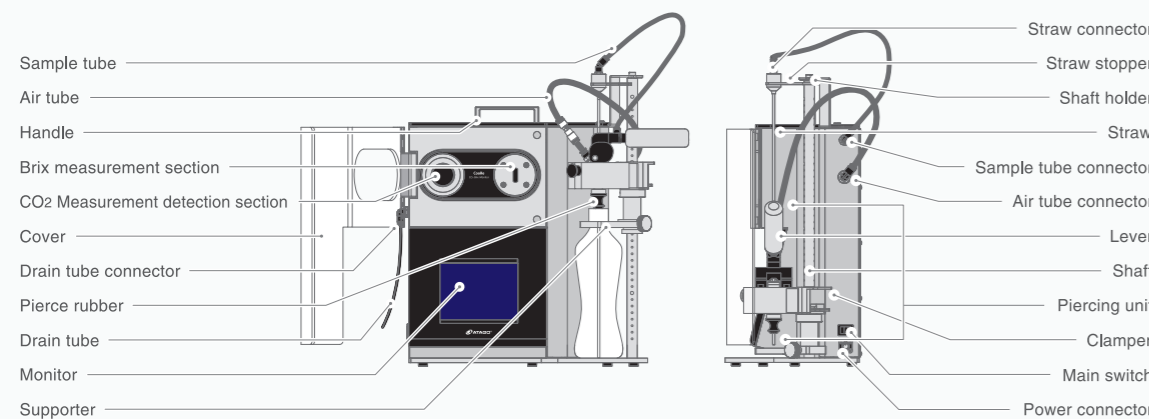
Using the preexisting and current data obtained by CooRe, a calibration curve can be created which can then be used to program a coefficient. Measurement values are automatically computed based off the past data, which means no stored data is wasted.

End User Feedback

~Company "S" Quality Assurance Department~
Unlike traditional instruments, it does not require intensive swinging motions, instead it can be readily used.

~Company "I" Product Development Department~
There is no more variation in measurement values that depend on who is measuring the sample.

Name of Compartment



Available in 3L compatible model. Contact us for further information.

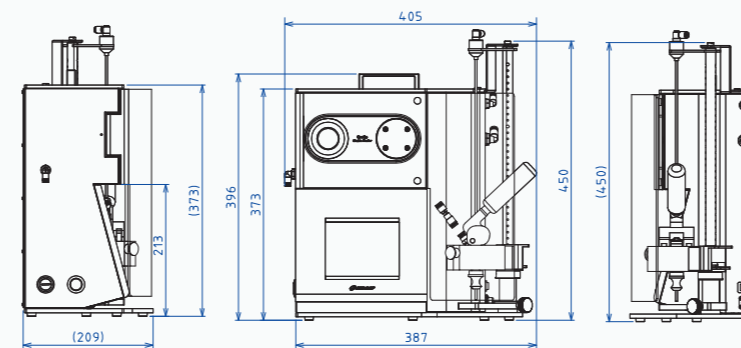
Specifications

Cat.No.	9332	Repeatability	Brix (Absolute value) : ±0.02 % Pressure : ±0.3 % (at F.S. 20 °C)
Scale	Automatic CO ₂ Brix Monitor	Temperature Compensation Range	Brix : 5.0 to 30.0 °C CO ₂ : 0 to 25 °C
Model	CooRe	CO ₂ Pressure Sensor	Diaphragm pump, pressure gauge pressure meter
Measurement Scales	Brix (Automatic temperature correction) CO ₂ Concentration (Automatic temperature correction) Pressure Temperature	Refractometer Light Source	LED (D-line approximation)
Measurement System	Brix : Refractive index method CO ₂ Concentration : Converted from pressure Pressure : Sample agitation measurement method	Temperature Sensor	Platinum thin-film temperature sensor (Refractometer/pressure sensor one each)
Measurement Range	Brix : 0.00 to 20.00 % CO ₂ Concentration : 0.000 to 12.000 vol. : 0.000 to 24,000 × 10 ⁻⁶ kg/cm ³ : 0.000 to 24,000 g/L Pressure : 0.00 to 10.00 bar : 0.00 to 10000 mbar : 0.000 to 145,000 psi : 0.000 to 1,000 MPa : 0 to 1000 kPa Temperature : 0.0 to 30.0 °C : 32.0 to 86.0 °F : 273 to 303 K	Agitation Method	Magnet stirrer
Resolution	Brix : 0.01 % CO ₂ Concentration : 0.001 vol. : 0.001 × 10 ⁻⁶ kg/cm ³ : 0.001 g/L Pressure : 0.01 bar : 10 mbar : 0.001 psi : 0.001 MPa : 1 kPa Temperature : 0.1 °C : 0.1 °F : 1 K	Required Sample Volume	100 mL (Pressure chamber volume : 20mL)
Measurement Accuracy	Brix (Absolute value) : ±0.05 % Pressure : ±1.0 % (at F.S. 20 °C) Temperature : ±1 °C	Sample Temperature Range	0 to 30 °C (Guaranteed accuracy range : 5.0 to 25.0 °C)
		Measurement Time	About 60 seconds
		Display Method	Touch panel with backlight LCD 5.7 inches
		Data Display History	① Number ② Measurement year month date time ③ Scale ④ Brix ⑤ Temperature when Brix is measured ⑥ CO ₂ concentration ⑦ Temperature when CO ₂ concentration is measured ⑧ Pressure ⑨ Temperature when pressure is measured
		Output	USB memory
		Pressure Resistance	Pressure chamber : 1MPa Prism : 1MPa
		International Protection Class	IP65 *Applicable only if the USB terminal cover is on and power terminal cover is on (or AC power is connected).
		Ambient Temperature/Humidity	Temperature : 0 to 40 °C Humidity : 30 to 80 %
		Power Supply	AC 100 to 240 V
		Power Consumption	50 VA
		Dimensions & Weight	Approx. 405 × 450 × 215 mm 26lbs/12kg (Power cable included.)

Accessories

Part Name	Part No.
Lithium-ion Battery	RE-74840
Pulp Filter Unit	RE-79424
Filter Cartridge (for Pulp Filter Unit)	RE-79425
Desiccant (100g)	RE-99440
Screw set for Back Cover	RE-99441

Dimensions



All ATAGO products are designed and manufactured in Japan.

ATAGO CO.,LTD.



000 «Диаэм»

Москва
ул. Магаданская, д. 7, к. 3 ■ тел./факс: (495) 745-0508 ■ sales@dia-m.ru

www.dia-m.ru

С.-Петербург
+7 (812) 372-6040
spb@dia-m.ru

Казань
+7 (843) 210-2080
kazan@dia-m.ru

Новосибирск
+7 (383) 328-0048
nsk@dia-m.ru

Ростов-на-Дону
+7 (863) 303-5500
rnd@dia-m.ru

Воронеж
+7 (473) 232-4412
vrm@dia-m.ru

Екатеринбург
+7 (912) 658-7606
ekb@dia-m.ru

Йошкар-Ола
+7 (927) 880-3676
nba@dia-m.ru

Немерово
+7 (923) 158-6753
kemerovo@dia-m.ru

Красноярск
+7 (923) 303-0152
krsk@dia-m.ru

Армения
+7 (094) 01-0173
armenia@dia-m.ru



CO₂ Brix
CooRe
Portable Automatic Gas Volume Meter

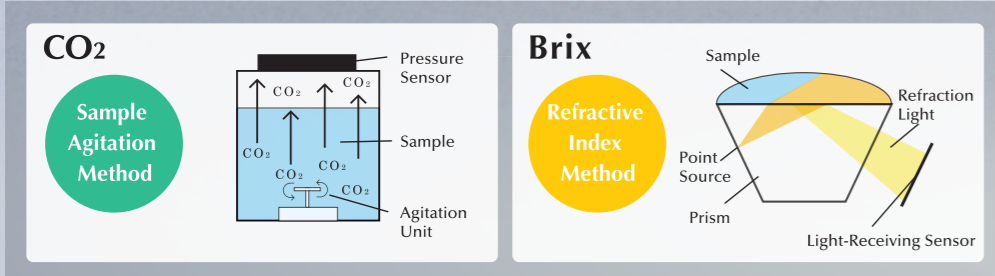


CO₂ Brix Press a button.
Simultaneous measurement.

Refractometer technology that ATAGO has cultivated for many years is incorporated into this gas volume meter. Two types of measurements can be taken at once, which improves work efficacy.



CooRe
CO₂ Brix Monitor



CooRe = Coo — Signifies CO₂ gas volume meter Re — Refractometer abbreviated

Readily take measurements any time, anywhere

No other automatic gas volume meter allows taking measurements any time and anywhere. CooRe is equipped with many convenient functions and components.

World first all-in-one piercing and measuring instrument

The piercing and measuring sections are together in one unit. Traditional automatic gas volume meters are equipped with nitrogen gas cylinders which weigh almost 10kg/22lbs. With CooRe, the pump is internalized requiring no need to connect or change the nitrogen gas cylinder.

Excellent operability

Easy piercing

This instrument can pierce any type of bottle easily and smoothly, whether can or bottle. In addition, it is equipped with a cover to prevent liquid from scattering when a bottle is removed from the instrument.

Sample amount is 100ml

Only 100mL of sample is required for measurements. If the capacity is that of the common soda bottle, all containers can be measured.

Cover

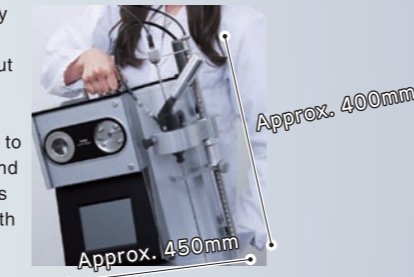
Cover to prevent liquid or pieces of a damaged can, glass bottle, or PET bottle from scattering.



Portable

Can be carried with one hand

The unit approximately weighs 12kg/26lbs. The weight being about half of traditional automatic gas volume meters, it is very easy to handle. The display and measurement sections are all in one place with a handle on the top to free up one of your hands during transit.



Can be used in area with no power supply

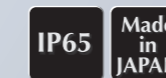
The power source can either be AC adapter or lithium ion battery. No more thinking about where to measure. Moreover, the rechargeable lithium ion battery can be used repeatedly, reducing running costs.

One minute to measure

After pressing the button, the measurement will automatically display in one minute.

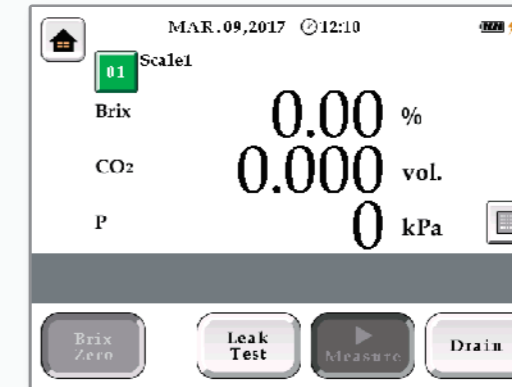
ATAGO's Reliability

ATAGO is a Brix meter manufacturer since 1940 serving 154 countries worldwide.



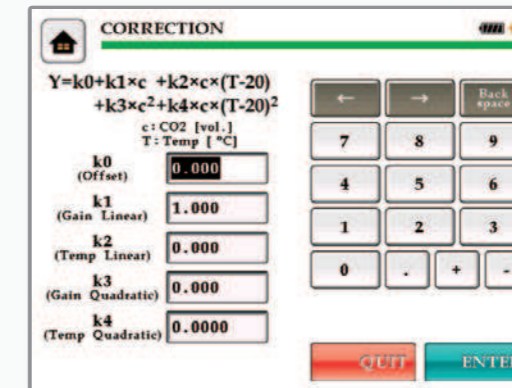
Touchscreen

Smooth and absolute operation



Measurement Screen

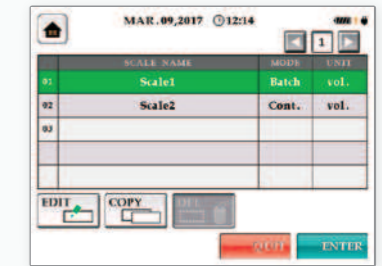
Before taking a measurement, select "LEAK TEST" then press "OK" once the completion message is displayed. Next, press "MEASURE" to begin taking measurements.



Value Correction Input Screen

Offset feature

Using the preexisting and current data obtained by CooRe, a calibration curve can be created which can then be used to program a coefficient. Measurement values are automatically computed based off of past data, which means no stored data is wasted.



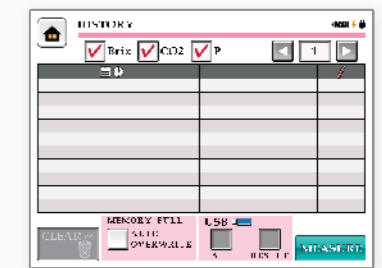
Scale List Screen

By programming the scale, there is no need to reset the unit or mode.



Rinse Screen

Use this screen when rinsing at the beginning of the day or after the last use.



Data History Screen

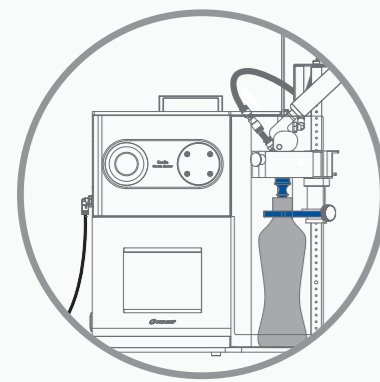
Quickly access the last 500 measurements. With a touch, the measurements can be saved on a USB.



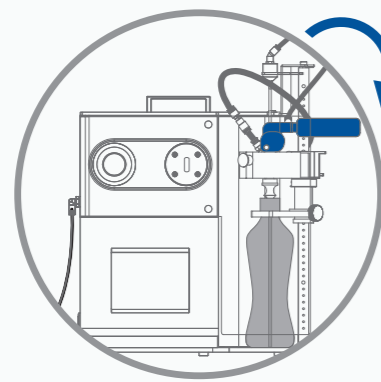
Settings Screen

Gateway to access basic configuration settings. Navigate to each configuration page using the icons. Confusion-free, intuitive operation.

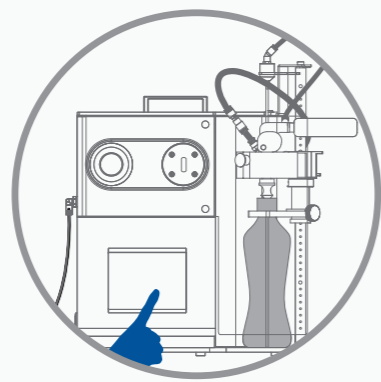
Measurement Method



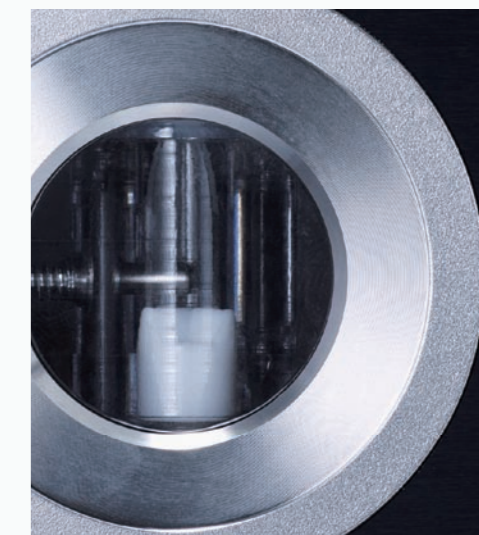
Step1 **Set** a sample



Step2 **Pull down** the lever



Step3 **Press** Measure button



CooRe
CO₂ Brix Monitor